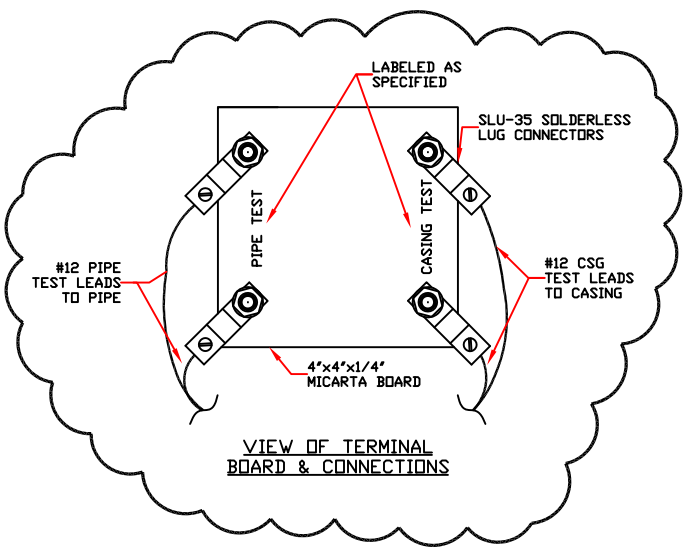
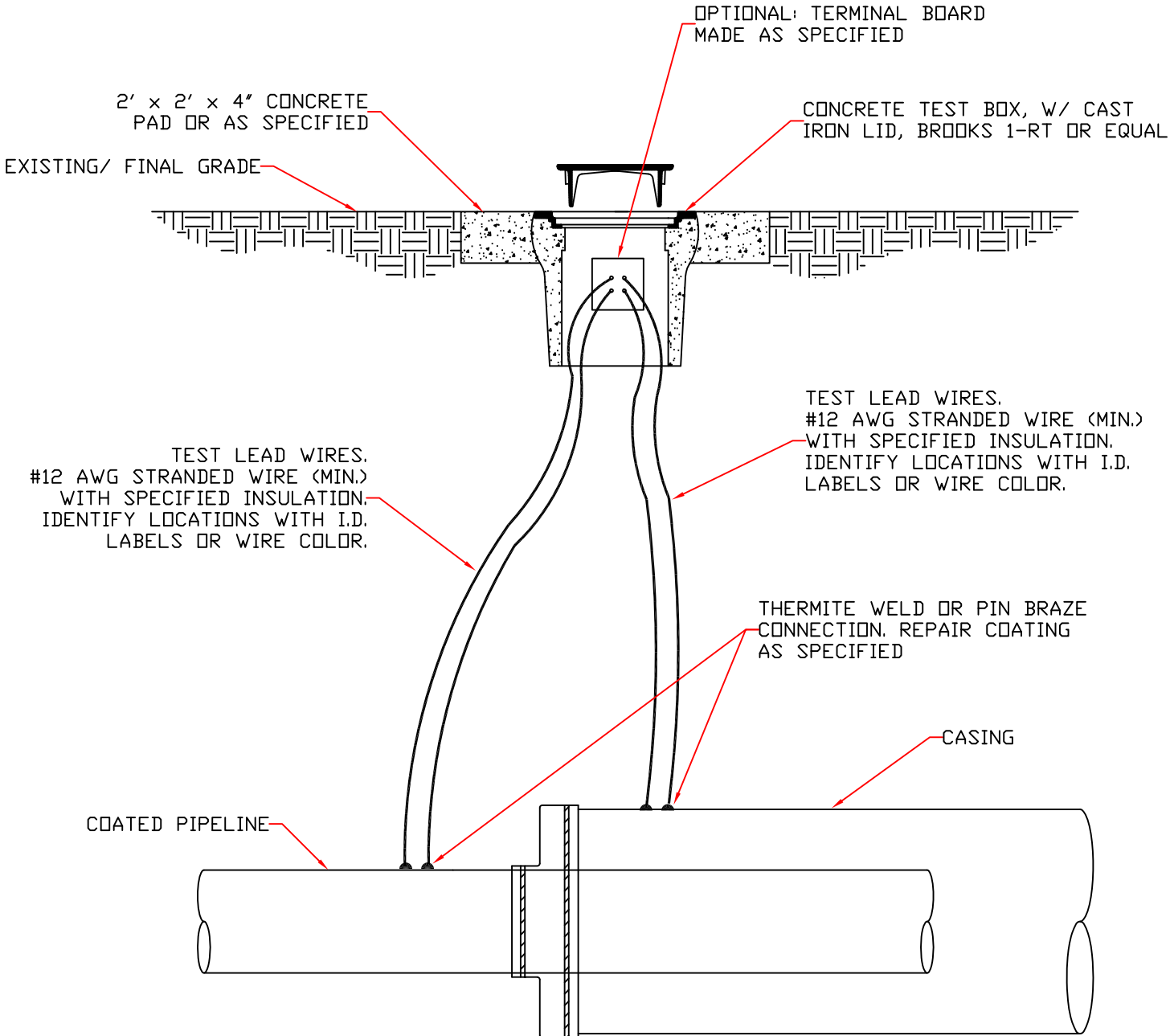



REVISIONS			
REV	DESCRIPTION	DATE	APPROVED
0	ISSUED FOR REVIEW		



DRAWN BY T.S.H. 12/08		ENGINEER		FARWEST CORROSION CONTROL COMPANY	
JOB NO.				1480 W. Artesia Blvd. Gardena, California	
		TYPICAL CATHODIC PROTECTION AT-GRADE TEST STATION PIPELINE WITH CASING			
		SIZE A	SCALE NONE		DWG NO. S-2F
FILE S-2F	REV 0			SHEET 1 of 1	