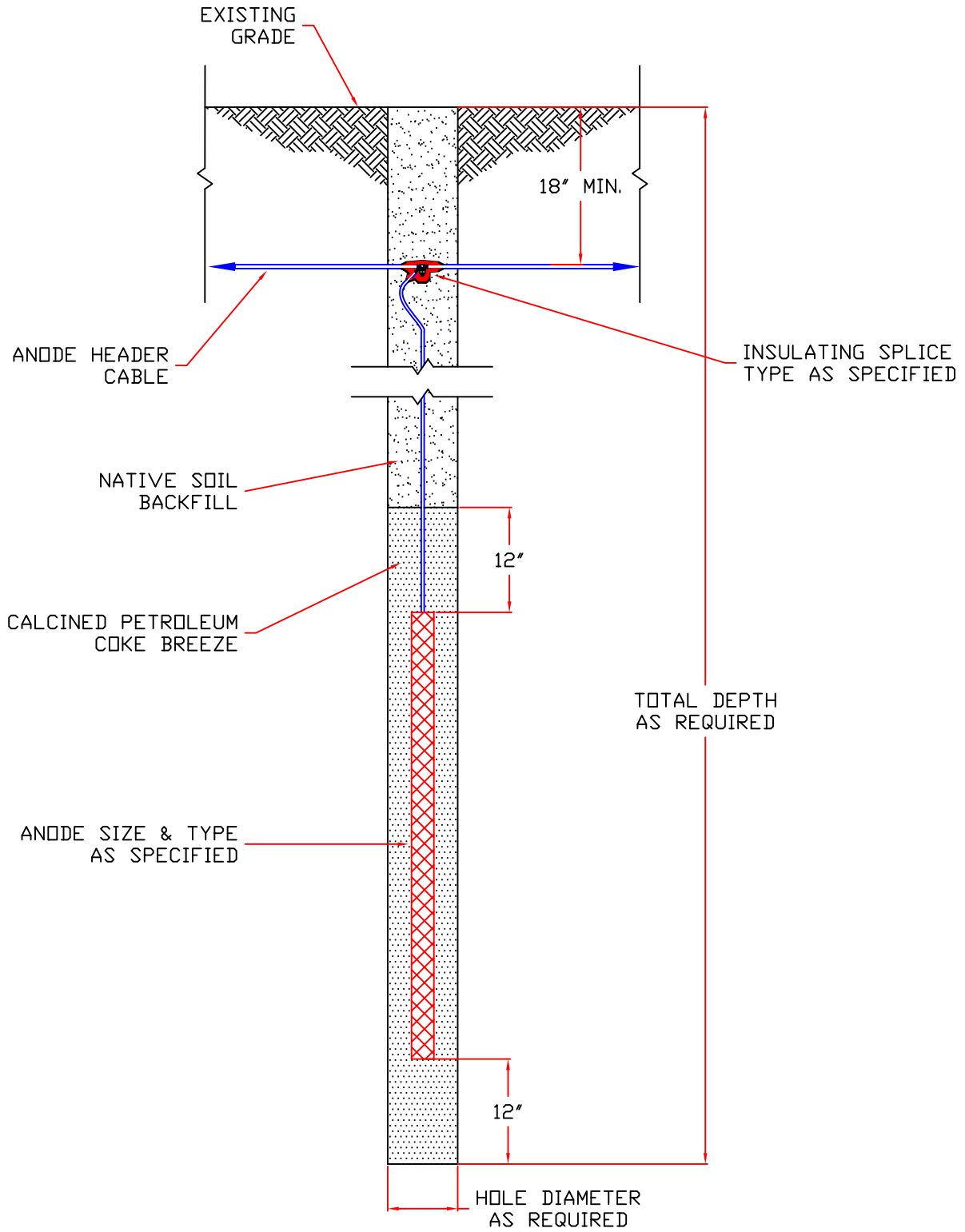



REVISIONS			
REV	DESCRIPTION	DATE	APPROVED
0	ISSUED FOR REVIEW		



DRAWN BY T.S.H. 4/09 ENGINEER	FARWEST CORROSION CONTROL COMPANY 1480 W. Artesia Blvd. Gardena, California		
JOB NO.	TYPICAL VERTICALLY INSTALLED ANODE INSTALLATION		
	SIZE A	DWG NO. S-5H	
	FILE S-5H	SCALE NONE	REV 0
		SHEET 1 of 1	